



Grandstream Networks, Inc.

126 Brookline Ave, 3rd Floor
Boston, MA 02215. USA
Tel : +1 (617) 566 - 9300
Fax: +1 (617) 249 - 1987
www.grandstream.com

For Warranty and RMA information, please visit
www.grandstream.com



In-Wall Mounting Kit Quick Reference Guide

(GDS3710/3705 NOT Included)

Content

English.....1

PRECAUTIONS

- Please follow local building code and electrical code to install the device.
- Suggest to install the device with bottom line 45~55 inches (1.2~1.4 meters) above the ground level.
- Please avoid dropping or vigorous vibrating of the device.
- Please keep device away from strong electromagnetic field or explosive atmosphere.
- Do not open or install the device in damp environment. Avoid using the device in very low or high temperature environment.
- Recommend to seal the frame or wall gap with silicone or other sealant after installation to avoid inside water leaking.
- Remove the electrostatic adsorption protective plastic film after all installations/configurations to avoid lens cover contamination or scratch.
- Please refer to Grandstream website for more updated Online Documents like:

QIG:

www.grandstream.com/sites/default/files/Resources/GDS3705_QIG.pdf

www.grandstream.com/sites/default/files/Resources/GDS3710_QIG.pdf

User Manual:

www.grandstream.com/sites/default/files/Resources/GDS3705_UserManual.pdf

www.grandstream.com/sites/default/files/Resources/GDS3710_UserManual.pdf

FAQ:

www.grandstream.com/our-products

The warranty not apply to defects and failures as a result of improper installation.

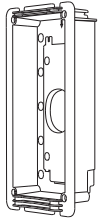
The manufacturer is neither liable for damages caused by theft within an area that is accessible after the attached electric lock is switched. The product is not designed as a burglar protection device except when used in combination with a standard lock.

If the proper mounting instructions not met, water might get in and destroy the electronics as the internal circuits are under continuous operation.

The manufacturer's warranty shall be void for products damaged in this way.

This guide applies to both GDS3705 and GDS3710, with GDS3710 in the illustration.

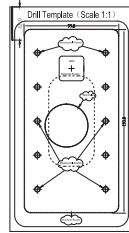
PACKAGE CONTENTS



1 x Plastic Box



1 x Cover Plate



1 x Drill Template



(1)

PA3.5*35mm

6 x Anchor & Screw Set (Mount the Plastic Box into Solid Wall)



(2)

PM3*10mm

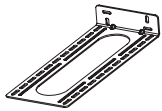
6 x Screws (Fix the Bracket into Plastic Box)



(3)

PM3*12mm

6 x Screws (Fix Plastic box on Meta Frame)



1 x Metal Frame (For Stud Mount)



1 x Quick Reference Guide



1 x Anti-Tamper Hex Key



(4)

M3

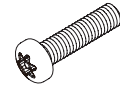
6 x Nuts (Fix Plastic Box on the Meta Frame)



(4)

M3

6 x Nuts (Fix Plastic Box on the Meta Frame)



(5)

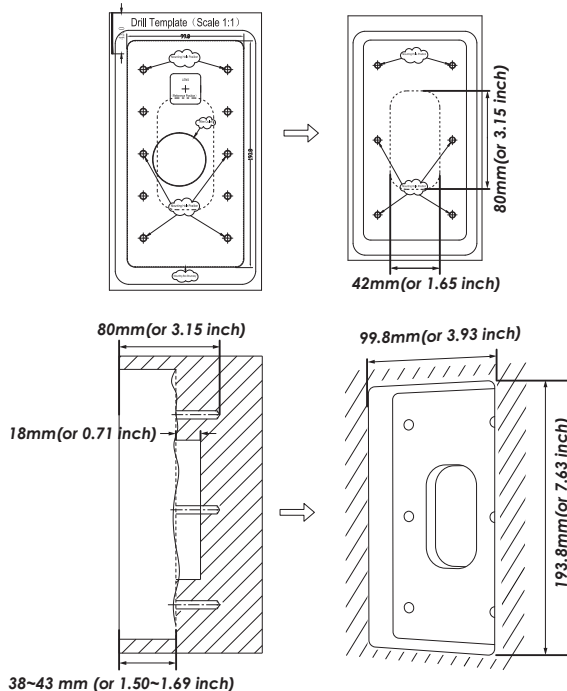
PM3*12mm

6 x Anti-Tamper Screws

Solid Wall Installation

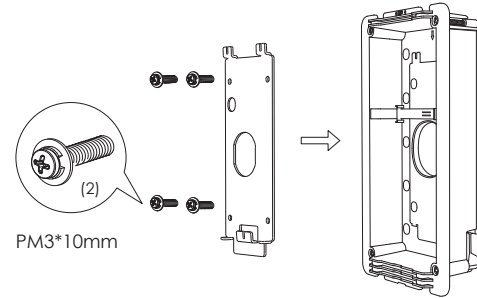
Please follow below steps to install the device into solid wall.

Step 1: Use provided Drill Template to mark boundary then drill holes for the 6 mounting screws and the circular hole for wiring. (drilling or dig tools not provided) Then dig a rectangle hole for the box with depth around **38~43 mm (or 1.50~1.69 inch)**, refer to mark in the template (rotating it to measure if necessary).

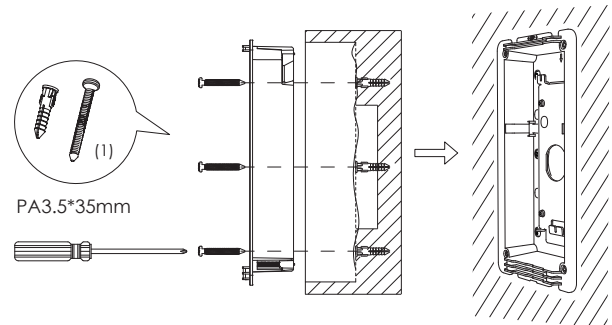


.5.

Step 2: Mount the Installation Bracket into the Plastic Box using supplied Screws(2).

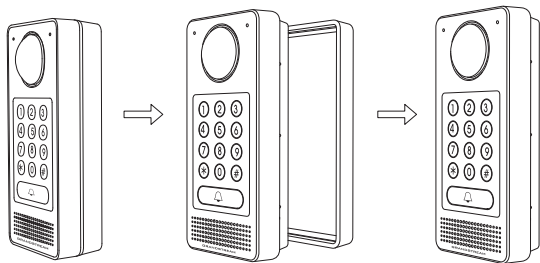


Step 3: Use provided Anchor/Screw(1) to mount the Plastic Box inside the hole just digged.

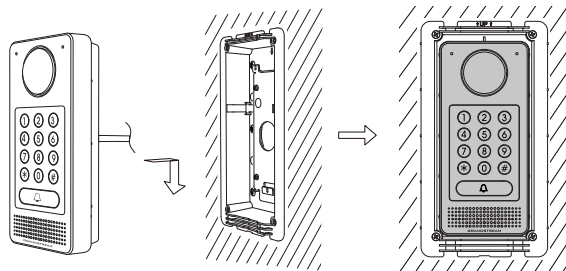


.6.

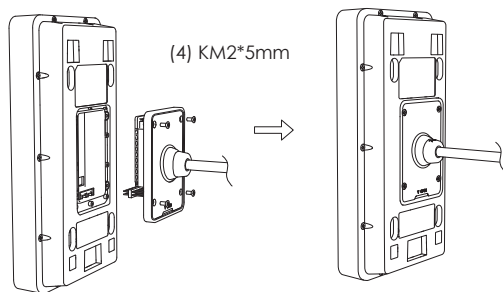
Step 4: Remove the frame back cover (designed for Surface/ OnWall Installation).



Step 6: Align the GDS37XX with the bracket, press and push down the GDS37XX into place.

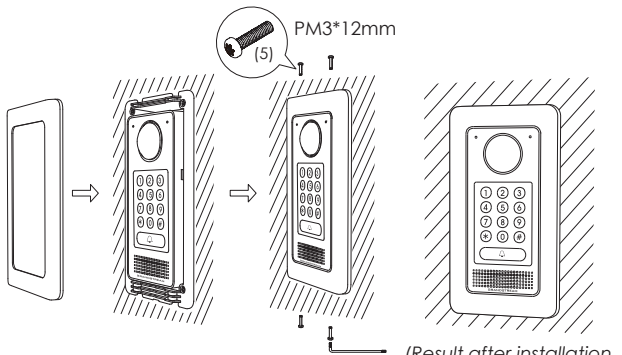


Step 5: Follow GDS37XX QIG and User Manual to connect wires to the PoE switch or PoE Injector. Connect the Electrical Lock wiring according to its document.



.7.

Step 7: Install the Cover Plate and fix it using the Hex Key with the Anti-Tamper Screws (5) provided.



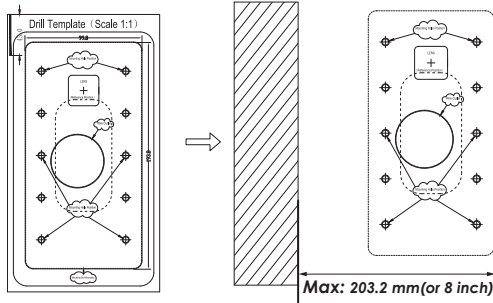
(Result after installation.
GDS37XX NOT included)

.8.

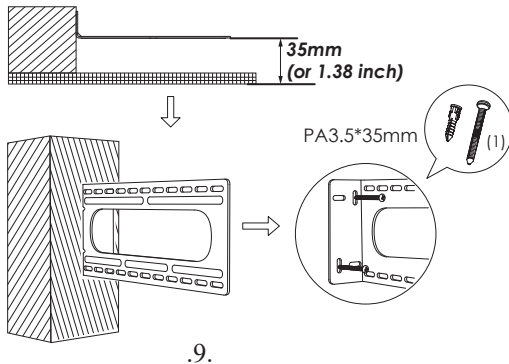
Stud Installation

Please follow below steps to install the device at the stud of a new building open wall, or a finished wall.

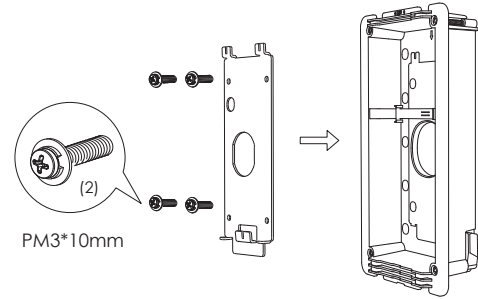
Step 1: For finished wall, use provided Drill Template to mark boundary and dig a rectangle hole into the wall. For open wall, skip and go to next step.



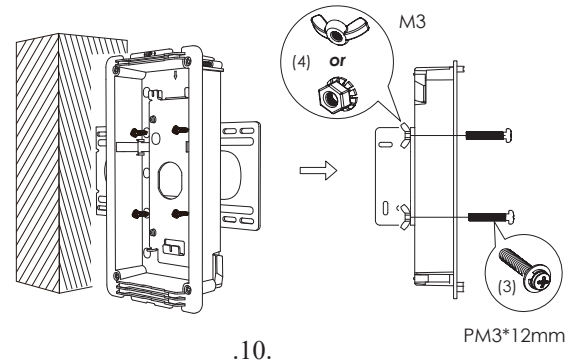
Step 2: Install the Metal Frame with short edge to the stud using the set of Anchor/Screw(1) provided.



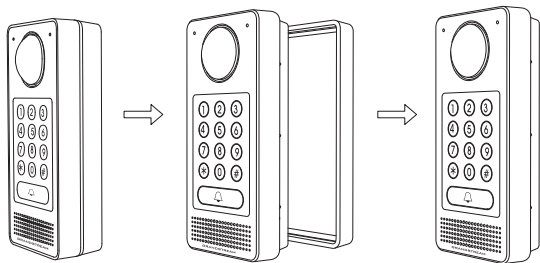
Step 3: Mount the Installation Bracket into the Plastic Box using supplied Screws(2).



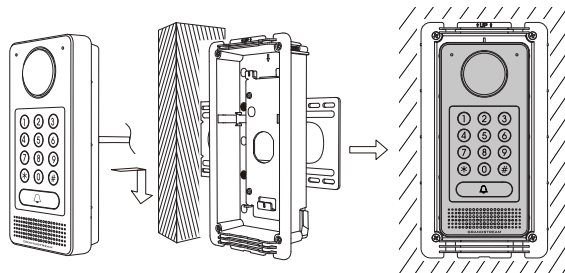
Step 4: Use provided Screws and Nuts(3)(4) to install the Plastic Box on the long edge of the Metal Frame. Choose either set of Nuts(4) with convenience.



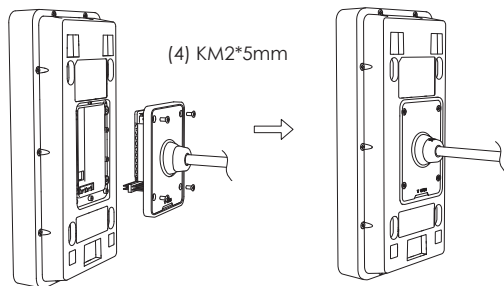
Step 5: Remove the frame back cover (designed for Surface/ OnWall Installation).



Step 7: Align the GDS37XX with the bracket, press and push down the GDS37XX into place.

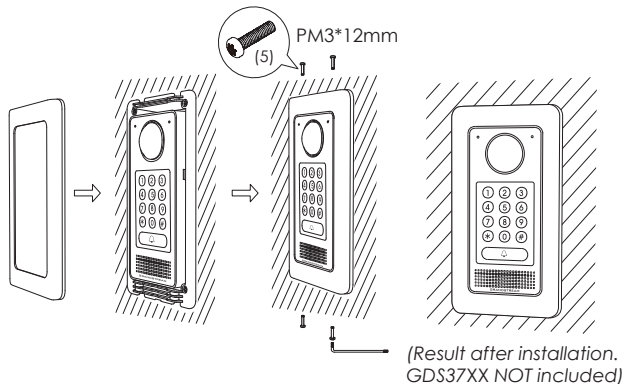


Step 6: Follow GDS37XX QIG and User Manual to connect wires to the PoE switch or PoE Injector. Connect the Electrical Lock wiring according to its document.



.11.

Step 8: Install the Cover Plate and fix it using the Hex Key with the Anti-Tamper Screws(5) provided.

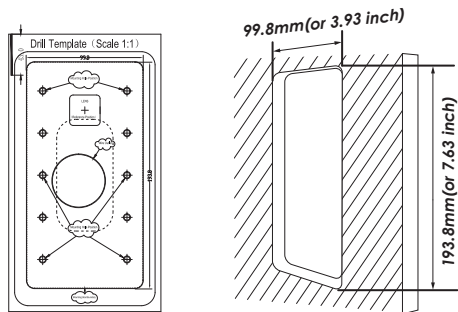


.12.

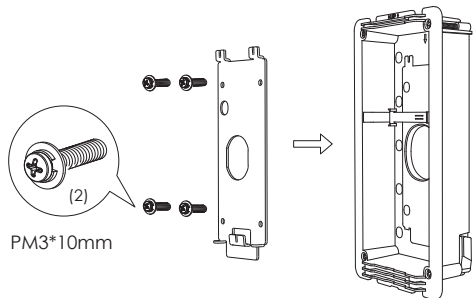
Drywall (Hollow Wall) Installation

Please follow below steps to install the device on a drywall or hollow wall. The thickness of the wall where the clamps can handle is among **6.2 ~ 24 mm (or 0.24 ~ 0.94 inch)**

Step 1: Use provided Drill Template to mark boundary then cut opening on the dry wall. **Do NOT over cut.** (wall cutting tools not provided)

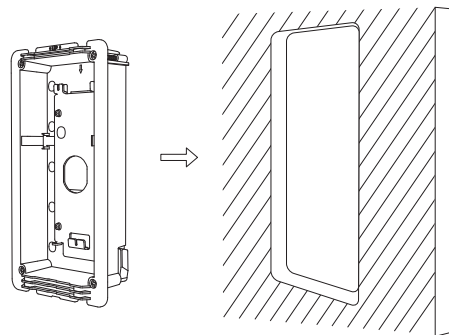


Step 2: Mount the Installation Bracket into the Plastic Box using supplied Screws(2).

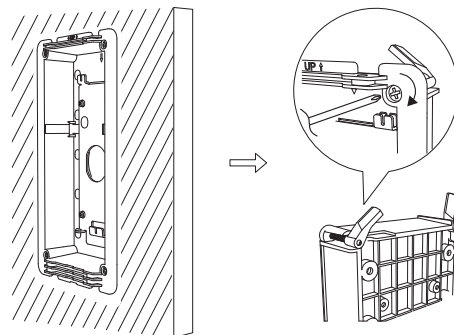


.13.

Step 3: Insert the Plastic Box into the cutted hole properly.

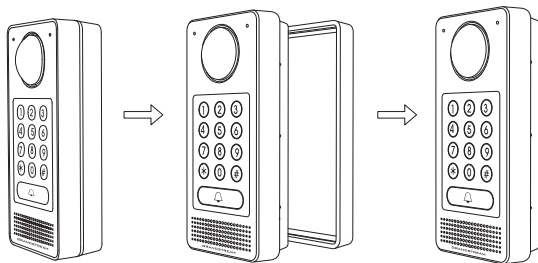


Step 4: Tighten the four clamps alternately in diagonal to mount the Plastic Box on the wall. Please do NOT over tighten to avoid damaging the wall or clamp.

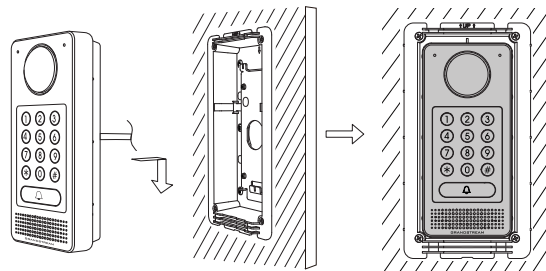


.14.

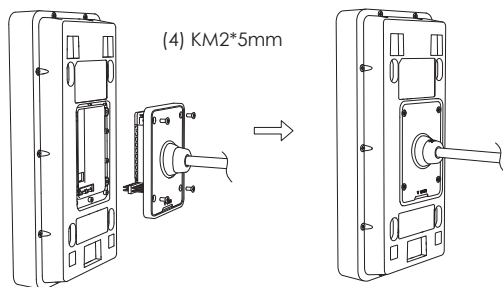
Step 5: Remove the frame back cover (designed for Surface/ OnWall Installation).



Step 7: Align the GDS37XX with the bracket, press and push down the GDS37XX into place.

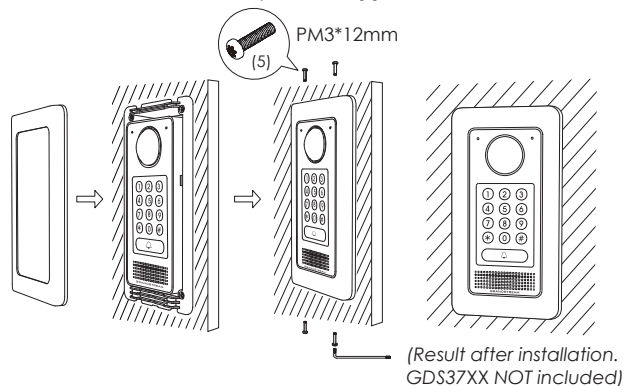


Step 6: Follow GDS37XX QIG and User Manual to connect wires to the PoE switch or PoE Injector. Connect the Electrical Lock wiring according to its document.



.15.

Step 8: Install the Cover Plate and fix it using the Hex Key with the Anti-Tamper Screws(5) provided.



.16.