

# Gigaset

N510 IP PRO

**Gigaset**pro

INSPIRING CONVERSATION.



# Safety precautions

---

## Warning

---

Read the safety precautions and the user guide before use.

Explain their content and the potential hazards associated with using the telephone to your children.

---



Use only the power adapter supplied, as indicated on the underside of the telephone.



Using your telephone may affect nearby medical equipment. Be aware of the technical conditions in your particular environment, e.g., doctor's surgery. If you use a medical device (e.g., a pacemaker), please contact the device manufacturer. They will be able to advise you regarding the susceptibility of the device to external sources of high frequency energy. Please refer to the "Appendix" chapter in the long user guide (see enclosed CD) for the specifications of this Gigaset product.



Do not install the base and charger in bathrooms or shower rooms. The base is not splashproof.



Do not use the phone in environments with a potential explosion hazard, for example paint shops.



If you give your phone to a third party, make sure you also give them the user guide.



Remove faulty telephones from use or have them repaired by our Service team, as they could interfere with other wireless services.

# Package contents

---



- 1 Gigaset N510 IP PRO base**
- 2 Power adapter for connecting the base to the mains power supply**
- 3 Ethernet (LAN) cable for connecting the base to the router/switch (LAN/Internet)**
- 4 This quick guide and CD with installation wizard for your telephone, licence texts, warranty agreement, links to the long user guide and to key websites.**

Gigaset pro: <http://gigaset.com/pro>

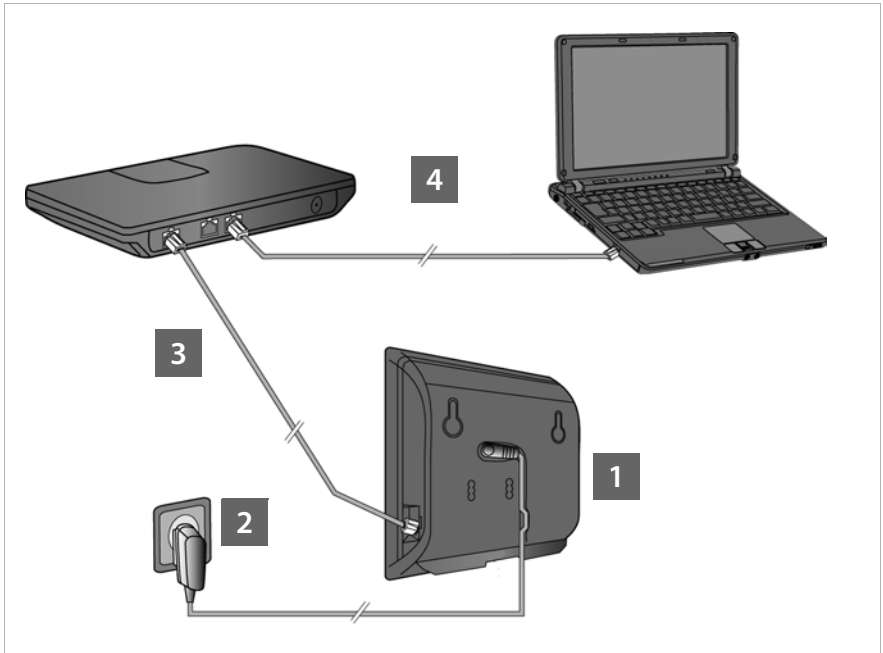
Gigaset pro Wiki: <http://gigaset.com/pro/wiki>

Product: <http://gigaset.com/pro/GIGASETN510IPPRO>

If the firmware for your base is updated, the user guide will also be updated and made available for download on the Internet at [www.gigaset.com](http://www.gigaset.com).

# Connection overview

---



- 1 Connect the power cable to the base
- 2 Connect the base to the mains power supply
- 3 Connect the base to the router or a switch  
(Internet connection via router and modem or via router with integrated modem)
- 4 PC in LAN (optional) – for advanced configuration of the base

---

**Please note**

---

You can operate, set up and use all the telephone functions on your base with a Gigaset C59H, C610H, SL78H, SL400H, S79H or S810H handset, for example.

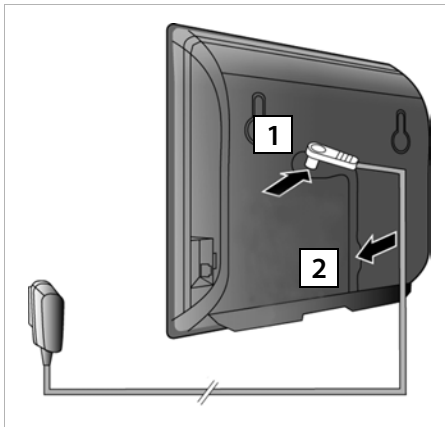
---

## Connecting the base

— Please note —

Your Gigaset N510 IP PRO is supplied with sufficient power via PoE (Power over Ethernet) if the device is connected to an Ethernet switch with PoE functionality (PoE class IEEE802.3af). In this case, it is **not** necessary to connect the device to the mains power supply.

### Connecting the power cable to the base



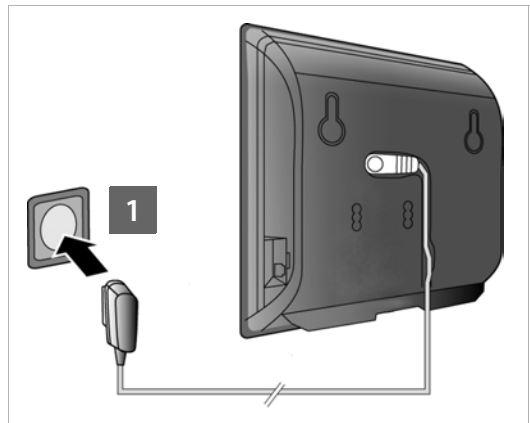
- 1 Insert the power cable of the power adapter into the connection socket at the rear of the base.
- 2 Insert the cable into the cable recess provided.

**Warning:**  
Use only the power adapter **supplied**.

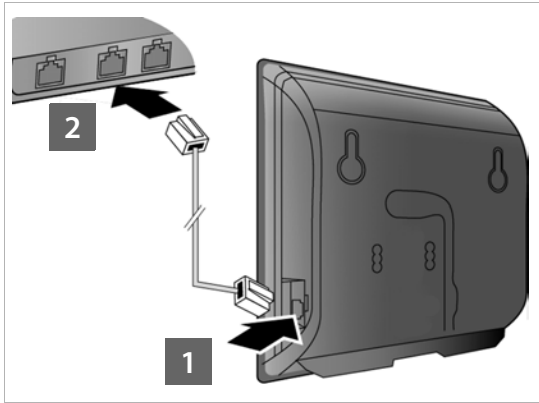
### Connecting the base to the mains power supply

- 1 Insert the power adapter into the mains socket.

**Note:** If you do not use PoE, the power adapter must be **plugged in at all times** for operation, as the phone does not work without a mains connection.



## Connecting the base to the router (Internet)



- 1 Insert a plug from the Ethernet cable supplied (Cat 5 with 2 RJ45 Western modular plugs) into the LAN connection socket at the side of the base.
- 2 Insert the second Ethernet cable plug into a LAN socket on the router/switch.

**Warning:**

Use only the Ethernet cable supplied.

As soon as the cable connecting the phone and router is plugged in and the router is switched on, the key on the front of the base lights up (paging key).



## Connecting the PC to the router

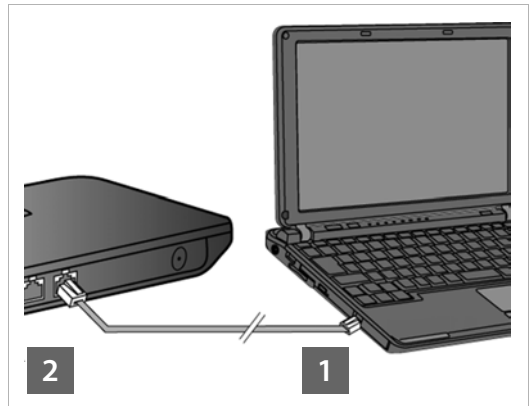
You can change the settings on the phone's base using a PC connected to your phone via the router.

### PC system requirements:

- ◆ Ethernet port
- ◆ Web browser, such as Microsoft Internet Explorer version 6.0 or higher, or Mozilla Firefox version 1.0.4 or higher
- ◆ DHCP must be activated (e.g. Windows XP):

- ▶ Click on **Start – Control panel – Network connections**.
- ▶ Double-click on the entry for the LAN connection with which your PC is connected to the base.
- ▶ In the **General** tab, click on **Properties**.
- ▶ Select Internet protocol (TCP/IP) and click on the **Properties** button.
- ▶ In the **General** tab, activate the **Obtain IP address automatically** and **Obtain DNS server address automatically** options.
- ▶ Click on **OK** or **Close**.

- ▶ Connect the PC Ethernet connection **1** to an additional LAN socket **2** on your router.



**Note:** You will need a Cat 5 Ethernet cable with RJ45 modular jacks.



---

### Please note

The procedure below requires that your phone is automatically assigned an IP address by the router (i.e., DHCP is enabled on router and phone).

In **exceptional cases** (e.g., if DHCP is not enabled on the router), you will have to assign a static IP address to the base for LAN access. You must enter this IP address on the handset before carrying out the following steps. Further information on this can be found in the long user guide (see enclosed CD).

The following handset menu can be used to make the entry:

 (press right on the control key) →  → **System** → **Local Network**  
→ (enter system PIN if required)



# Configuring the VoIP connection

---

---

**Please note**

---

Use the PABX VoIP configuration when connecting your Gigaset N510 IP PRO to a Gigaset PRO PABX (e.g., Gigaset T500 PRO or Gigaset T300 PRO) .

Your Gigaset N510 IP PRO searches the network for a provisioning file and checks whether VoIP accounts already exist. If the phone has existing VoIP accounts, these accounts are configured automatically. You can now make calls with your phone via the Internet.

If the telephone has no existing VoIP accounts, you must configure them manually. This process is described below.

---

## Prerequisites for the following steps:

- ◆ You have opened an account with a VoIP provider.
- ◆ The phone and PC are connected to the router and the router is connected to the Internet.
- ◆ A web browser is installed on the PC (Internet Explorer from V7.0, Firefox from V3.5).
- ◆ Any existing firewall allows the PC and the phone to communicate.

You need the VoIP account to be able to make calls to any other subscribers on the Internet, the fixed line network or the mobile phone network via VoIP.

- ▶ Set up a VoIP account with a VoIP provider.
- ▶ Have your VoIP account data you received from your VoIP provider to hand. You need to save this data in the phone, e.g., using the Web configurator on your phone.

## You will need:

- ◆ Your registration name (login ID), your password and, if applicable (provider-dependent), a user name (often this is your VoIP phone number).

Or

- ◆ Your personal auto-configuration code (activation code), if your provider supports "automatic configuration".

---

**Please note**

---

- ◆ Instead of using the following procedure, you can also enter the VoIP access data and assign the VoIP connection as a send and receive connection via a Gigaset C59H, C610H, SL78H, SL400H, S79H or S810H handset registered to the base.
  - ◆ A description of the Web configurator can be found in the long user guide (see enclosed CD) and in the Web configurator online help document.
-

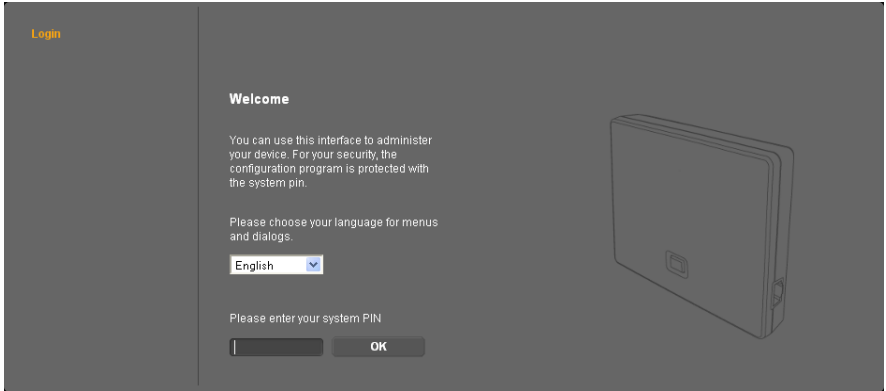
### Establishing the connection to the Web configurator

- ▶ Launch the web browser on your PC.
- ▶ Enter the local IP address for your phone into the address field (e.g., http://192.168.1.4).

You can see the IP address on the handset display by briefly pressing the paging/registration key on the front of the base.

You are connected to your base's Web configurator.

The following Web configurator page is displayed.



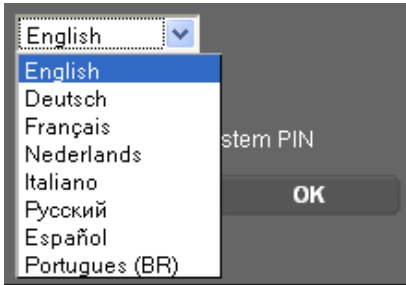
---


#### Please note

The connection between the PC and the Web configurator is a **local** connection (LAN connection).

---

## Registering with the Web configurator



- ▶ If you want to change the interface language of the Web configurator, click on the  list icon.
- ▶ Select the appropriate language from the list of available languages.

The web page is reloaded in the selected language. This may take some time.

---

### Please note

The Web configurator web pages for the required language are loaded onto the base from the configuration server. For this reason, you can only change the language if your device is connected to the Internet.

---

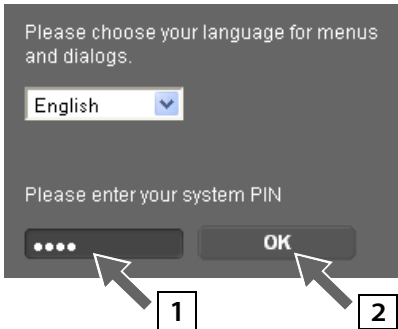


---

### Please note

To register with the Web configurator, you will need the system PIN for the phone (default setting: 0000).

---

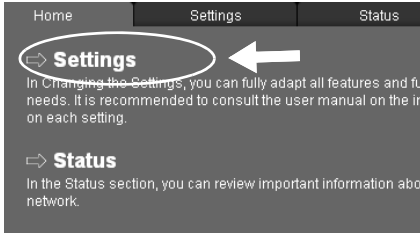


- 1 Enter your phone's four-digit system PIN in the bottom field.
- 2 Select the OK button.

The PIN is still set to 0000:

- ▶ In the next window containing the security information, click on **OK**.

## Entering VoIP data



The following web page is displayed:

- ▶ Select **Settings**.



After the following web page has loaded:


- ▶ Click on **Telephony** in the navigation area (to the left of the web page).

A list is opened containing all connections that you can assign or configure to your phone.

A screenshot of a table titled 'IP Connections' on a dark background. The table has four columns: 'Name', 'Status', 'Active', and an unlabeled column containing 'Edit' buttons. There are six rows of data. The first row is circled in white, and a white arrow points to the 'Edit' button in that row. A question mark icon is visible in the top right corner of the table area.

	Name	Status	Active	
1.	IP1 Other Provider	Disabled	<input type="checkbox"/>	Edit
2.	IP2 Other Provider	Disabled	<input type="checkbox"/>	Edit
3.	IP3 Other Provider	Disabled	<input type="checkbox"/>	Edit
4.	IP4 Other Provider	Disabled	<input type="checkbox"/>	Edit
5.	IP5 Other Provider	Disabled	<input type="checkbox"/>	Edit
6.	IP6 Other Provider	Disabled	<input type="checkbox"/>	Edit

- ▶ Click on the **Edit** button for the first **IP1** VoIP connection.

For further information on the web pages currently displayed, please consult the online help document. This will open when you click on the question mark  to the top right of the web page.

A web page for configuring the first VoIP connection is displayed.

First load the general provider data onto your base.

- ▶ To do this, click on the **Select VoIP Provider** button and then on **Next>** on the following web page.

- ▶ Click on the ▼ list icon and select the country in which you are using your phone from the list.
- ▶ Select **Next>**.

- ▶ Click on the ▼ list icon and select your VoIP provider from the list.
- ▶ Select **Finish**.

If your VoIP provider is not included in the list, select **Other Provider**.

### Please note

If your provider supports "automatic configuration", you will receive a "configuration code" from your provider instead of an authentication name and password. Enter this code in the **Auto Configuration Code** field and click on the **Start Auto Configuration** button.

Configuration is performed automatically. Proceed as described under **Completing configuration** (→ **Page 14**).

If the provider data has loaded successfully, the message **Provider data has been downloaded.** is displayed.


- ▶ Select **OK**.

- ▶ Enter the access data you received from your VoIP provider in the **Personal Provider Data** fields.
- ▶ Select the **Set** button.

## Configuring the VoIP connection

If you specified **Other Provider** when selecting your provider, you need to enter the provider data yourself before saving.

► To do this, click on the **Show Advanced Settings** button.

If you require assistance in filling in the information, please consult the online help document. This will open when you click on the question mark  to the top right of the web page.

## Completing configuration

The list of all available connections for your phone is displayed again.

	Name	Status	Active	
IP Connections				
1.	IP1 Other Provider	Registered	<input checked="" type="checkbox"/>	Edit
2.	IP2 Other Provider	Disabled	<input type="checkbox"/>	1 Edit
3.	IP3 Other Provider	Disabled	<input type="checkbox"/>	Edit
4.	IP4 Other Provider	Disabled	<input type="checkbox"/>	Edit
5.	IP5 Other Provider	Disabled	<input type="checkbox"/>	Edit
6.	IP6 Other Provider	Disabled	<input type="checkbox"/>	Edit

If the **Active** option next to **IP1** is still not activated (you do not see a tick):

- Click on the **1** option.
- Press <F5> to refresh the page.

- ◆ If the **Status** column is showing as **Registered**, you have successfully completed the configuration.
- ◆ If this is not showing as **Registered**, check your entries (upper/lower case) and the cable connection to the Internet. Please also refer to the information in the online help document.

In order to make calls via the configured VoIP connection, you will need to register at least one handset to the base.

You can only make calls via the VoIP connection if it has been assigned to a registered handset as a send connection. You will be able to receive calls via the VoIP connection as soon as a handset has been registered to the base.

---

### Please note

You can use the full range of base functions with all Gigaset C59H, C610H, SL78H, SL400H, S79H and S810H handsets.

---

# Assigning the send/receive connections

---

## Registering the handset

You must register the handset on both the handset (a) and the base (b).

### a. On the handset

- ▶ Start the registration procedure on the handset in accordance with the handset's user guide.

A message usually appears on the display stating that the handset is searching for a base that is ready for registration.

### b. On the base

- ▶ Press and **hold** the registration/paging key on the base (approx. 3 seconds) within 60 seconds.

Once the handset has located the base, you will be asked to enter the base system PIN.

- ▶ Enter the four-digit system PIN for your base on the handset (default is 0000).

Once registration is complete, the handset returns to idle status. The handset's internal number is shown in the display, e.g., **INT 1**. If not, repeat the procedure.

All base connections are assigned to the handset as receive connections as soon as registration is complete (incoming calls are signalled on the handset and can be answered).

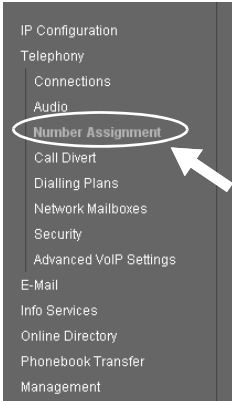
The first configured connection is assigned to the handset as a send connection.

**You can change this assignment.**

## Changing the assignment of a handset connection

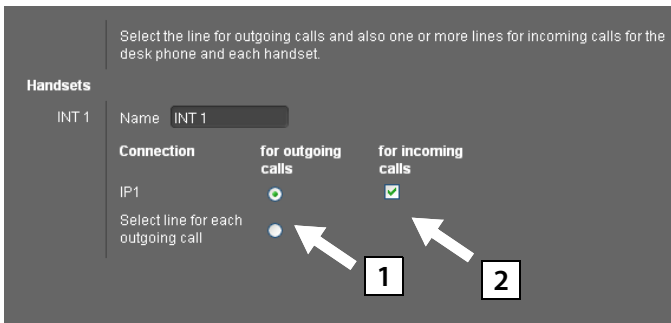
Assign the VoIP connection (or the corresponding phone number) to a handset as a send and/or receive connection.

To do this in the Web configurator:



- ▶ Click on **Number Assignment** in the navigation area (to the left of the web page).

A list of all base connections for each registered handset is displayed on the following web page. The active options indicate which connections are assigned to each handset as a send and receive connection.



- 1** Activate the connection option that the handset is to use for outgoing calls (send connection).
- 2** Deactivate the connection options that are not to be used as receive connections by the handset.

Instead of a fixed send connection, you can also activate the **Select line for each outgoing call** option. You will then be able to select the send connection for each call from the list of base connections on the handset.



## Completing configuration and number assignment

- ▶ Click on **Set** to complete the number assignment.
- ▶ Click on **Log Off** (top right-hand side of the web page) to log out of the Web configurator.



You can configure five additional VoIP connections (VoIP phone numbers) on your Gigaset.

The long user guide for your phone (see enclosed CD) contains detailed information on setting up the device, configuring new connections and operating the phone, as well as possible solutions to frequently asked questions and common problems.

---

### Please note

To ensure that you can always be reached via the Internet, the router must be permanently connected to the Internet.

---

## Making calls

---

- ▶ Enter a phone number using your handset's number keys.  
Please note that, even with local calls, you must always dial the area code for calls via VoIP (provider-dependent).
- ▶ Press the accept key.
- ▶ If you have assigned the handset a **fixed send connection**, the number will be dialled via this send connection.

Or

- ▶ If you have assigned the handset **Select line for each outgoing call**, the list of connections for your phone will be displayed (**IP1, IP2** etc.).
- ▶ Select a send connection and press the accept key; the number will be dialled via the selected send connection.

## Customer Care

---

Questions? For rapid assistance, refer to this user guide or visit [www.gigaset.com/pro](http://www.gigaset.com/pro). The trade outlet where you bought your PABX will be happy to help with further questions relating to your Gigaset Professional PABX.

### Questions and answers

If you have any queries about the use of your telephone, visit our website at [www.gigaset.com/uk/service](http://www.gigaset.com/uk/service) for assistance 24/7.

### Authorisation

Using the LAN interface and an additional modem, this device allows you to make calls via the Internet (Internet telephony).

This device is intended for use within the European Economic Area and Switzerland. If used in other countries, it must first be approved nationally in the country in question. Country-specific requirements have been taken into consideration.

We, Gigaset Communications GmbH, declare that this device meets the essential requirements and other relevant regulations laid down in Directive 1999/5/EC.

A copy of the 1999/5/EC Declaration of Conformity is available at this Internet address: [www.gigaset.com/docs](http://www.gigaset.com/docs)

CE 0682

## Environment

---

### Our environmental mission statement

We, Gigaset Communications GmbH, bear social responsibility and are actively committed to a better world. Our ideas, technologies and actions serve people, society and the environment. The aim of our global activity is to secure sustainable life resources for humanity. We are committed to a responsibility for our products that comprises their entire life cycle. The environmental impact of products, including their manufacture, procurement, distribution, utilisation, service and disposal, are already evaluated during product and process design.

Further information on environmentally friendly products and processes is available on the Internet at [www.gigaset.com](http://www.gigaset.com).

## Environmental management system



Gigaset Communications GmbH is certified according to the international standards EN 14001 and ISO 9001.

**ISO 14001 (Environment):** certified since September 2007 by TÜV SÜD Management Service GmbH.

**ISO 9001 (Quality):** certified since 17/02/1994 by TÜV SÜD Management Service GmbH.

## Disposal



All electrical and electronic products should be disposed of separately from the municipal waste stream via designated collection facilities appointed by the government or the local authorities. This crossed-out wheeled bin symbol on the product means the product is covered by the European Directive 2002/96/EC.

The correct disposal and separate collection of your old appliance will help prevent potential negative consequences for the environment and human health. It is a precondition for reuse and recycling of used electrical and electronic equipment. For more detailed information about disposal of your old appliance, please contact your local council refuse centre or the original supplier of the product.

## Appendix

---

### Caring for your telephone

Wipe the unit with a **damp cloth** or an **antistatic cloth**. Do not use solvents or microfibre cloths.

You can treat high-gloss surfaces carefully using display polish.

**Never** use a dry cloth. This can cause static.

### Contact with liquid

If the device comes into contact with liquid:

- 1 Unplug the power supply.**
- 2** Allow the liquid to drain from the device.
- 3** Pat all parts dry. Place the device in a dry, warm place **for at least 72 hours (not in a microwave, oven etc.)**.
- 4** Do not switch on the device again until it is completely dry.

When it has fully dried out, you will normally be able to use it again.

In rare cases, contact with chemical substances can cause changes to the telephone's exterior. Due to the wide variety of chemical products available on the market, it was not possible to test all substances.

**Issued by**

Gigaset Communications GmbH  
Frankenstraße 2a, D-46395 Bocholt

© Gigaset Communications GmbH 2011

All rights reserved. Subject to availability.  
Rights of modification reserved.

[www.gigaset.com](http://www.gigaset.com)